

Docherty

DS Multifuel Chimney System





Docherty DS Multifuel Chimney System

Description

Docherty DS is a twin wall prefabricated insulated chimney manufactured from stainless steel; with a 25mm cavity. The system is suitable for use on oil, gas, wood and solid fuel appliances except condensing boilers. The system consists of straight lengths and associated fittings and is available in 125mm, 150mm, 180mm and 200mm diameters.

Construction

The DS system has 25mm Ceramic Mat insulation with a 316 stainless steel inner liner and a 304 outer stainless steel wall. The liner seam of both inner and outer are continuously welded. The components are assembled by male and female coupler and 1/8 the turn to lock the items together on the serrated coupler. The system is locked securely with a locking band. The DS system is manufactured under ISO9001 and has been tested to BSEN 1856 – 1: 2003 and in accordance with general requirements of BSEN 1443:2003. The Ventilated Fire stop arrangement has been tested to comply with BS 476: Part 20:1987.

Applications

The DS system is suitable for use both internally and externally on the following appliances:

- Solid Fuel appliance
- Wood burning Stoves
- Atmospheric gas appliance
- Natural draft oil fired appliances
- The system is not suitable for use on condensing appliances.
- The DS system is suitable for use at continuous operating temperatures of 550 deg C and up to 1000 deg C for Short term firing

Installation

Installation must be in accordance with local and national building regulations.

The installation of a flue or chimney should be carried out by a competent person. They may connect to an appliance that is not connected to the fuel supply. The connection of an appliance that is connected to the fuel supply must be carried out by an approved Gas Safe (previously CORGI) for gas fueled appliances, OFTEC installer for oil and HETAS for solid fuel.

The Building Regulations Document J (in England, Wales & Northern Ireland) covers the suggested installation of chimneys and flues. The installation must also comply with BS7566 pts 1,2,3,4 for oil flues and BS5440 pt 1: 2000 for gas flues up to 70kw.

Jointing

All components are joined together with a twist lock end cap this requires a 1/8 the turn to lock the components. The joint is then locked using a locking band that is designed to cover the joint of the two components and snap shut. The male end should be the uppermost and pointing in the direction of the flow of the gases produced.

Joints should not be made within wall and ceiling spaces. Connecting pipes should be connected to the chimney in accordance to the recommendations of Building Document J.

Adjustable Length

The DS systems adjustable length is adjustable between from 75mm up to 250mm. This is a two piece adjustable the insulation can be adjusted by simply separating the component and adjusting the amount of insulation to achieve the desired length. The adjustable length is not loading bearing.

Distances to combustibles

The DS system has been tested to EN 1856 and has a distance from combustibles of 50mm. When installing the chimney on a domestic appliance the installation should be in accordance with building regulations.

When enclosing the DS Chimney system on a Solid Fuel Installation in a combustible chamber the Ventilated Fire Stop must be used to ventilated the chamber.

Support Components

Appliances are not load bearing and should take no weight.

Wall bands should be fitted every 3m and at any offsets to ensure the system is supported correctly.

Where the chimney installation through the roof exceeds 1.5m beyond the last support the use of structural locking bands or guy wire bracket must be used.

Life Expectancy

If the appliance is correctly used and fueled the Docherty DS system carries a 10 year conditional warranty.

The installation should be correctly sized and installed. The appliance must be regularly serviced and the chimney regularly swept by an approved chimney sweep. The appliance should be fueled burning only approved fuels as specified by HETAS or The Solid Fuel Association.

Maintenance

The chimney should be regularly swept by an approved chimney sweep. It is also good practice to have the chimney inspected by a HETAS approved installer during appliance maintenance.

Approvals

The DS system is manufactured under ISO9001 and has been tested to BSEN 1856 – 1: 2003 and in accordance with general requirements of BSEN 1443:2003. The Ventilated Fire stop arrangement has been tested to comply with BS 476: Part 20:1987.

Product Coding

The product code is made up of the five figure code followed by the diameter.
E.g. for a 150 (6in) 1000 mm length the code would be: DS10006

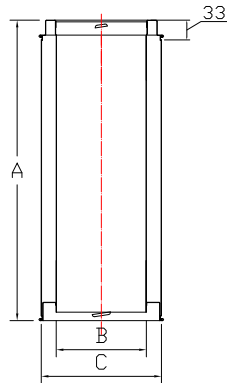


Chimney Parts:

Including Fixed Lengths, Elbow & Tee, Supports, Shield and Other Accessories

Fixed Lengths

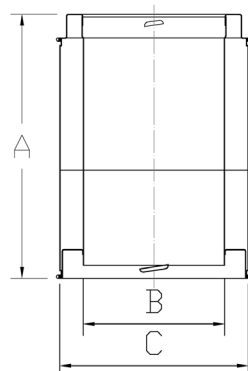
Flue Pipe



- Slim, advanced design allows for installation between 16" centers and still provides 2" clearances from combustible material.
- Secure twist-lock design couples sections together with just a 1/8 of a turn
- Sectional overlap of 1-1/4".
- Chimney is sized according to the inner diameter and is available in 5, 6, 7 and 8"

Size	Dimensions			Item Number
	A	B	C	
125mm×200mm	200mm	125mm	175mm	DS20005
125mm×500mm	500mm	125mm	175mm	DS50005
125mm×1000mm	1000mm	125mm	175mm	DS10005
150mm×200mm	200mm	150mm	200mm	DS20006
150mm×500mm	500mm	150mm	200mm	DS50006
150mm×1000mm	1000mm	150mm	200mm	DS10006
175mm×200mm	200mm	175mm	225mm	DS20007
175mm×500mm	500mm	175mm	225mm	DS50007
175mm×1000mm	1000mm	175mm	225mm	DS10007
200mm×200mm	200mm	200mm	250mm	DS20008
200mm×500mm	500mm	200mm	250mm	DS50008
200mm×1000mm	1000mm	200mm	250mm	DS10008

Adjustable Pipe

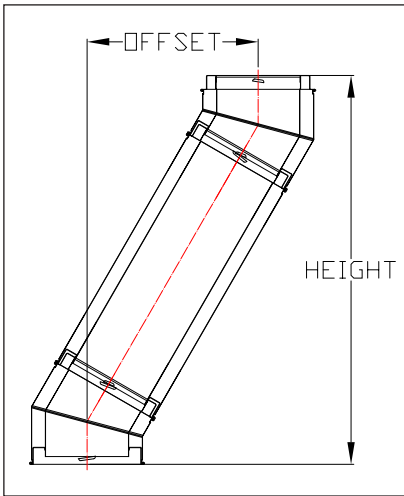


- Used to adjust pipe to desired length
- The one piece liner slides into a fixed length
- Sectional overlap of 1-1/4".

Size	Dimensions			Item Number
	A	B	C	
125mm	280-500mm	125mm	175mm	DS12005
150mm	280-500mm	150mm	200mm	DS12006
175mm	280-500mm	175mm	225mm	DS12007
200mm	280-500mm	200mm	250mm	DS12008

Elbows & Tees

Chimney Offset Charts



This chart has three columns for elbow angle required to achieve your desired offset. The first column ("Offset") is the horizontal measurement, at the chimney center line, of the offset needed to get around an obstacle.

The second column ("Height") is the height of the assembled offset elbow to the top of the return elbow. Column 3 shows the appropriate lengths required.

1. Determine the distance of the offset required.
2. On the chart, find the predetermined distance required for the elbow kit under the corresponding chimney diameter.
3. After finding the offset, follow across the chart to find the specified height and appropriate chimney lengths required under their corresponding diameters.

All measurements in inches. Offset tolerances one inch.

15° Offset Chart								
chimney length	125mm		150mm		175mm		200mm	
	Offset	Height	Offset	Height	Offset	Height	Offset	Height
none	25	210	25	232	25	225	25	219
6"	57	327	57	348	57	342	57	335
12"	95	474	95	496	95	489	95	483
18"	136	621	136	643	136	636	136	630
24"	175	769	175	790	175	784	175	777
36"	254	1063	254	1085	254	1078	254	1071
48"	333	1357	333	1379	333	1372	333	1366

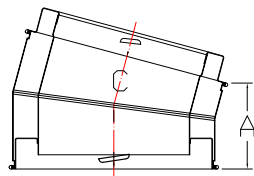
30° Offset Chart								
chimney length	125mm		150mm		175mm		200mm	
	Offset	Height	Offset	Height	Offset	Height	Offset	Height
none	90	340	90	394	105	407	105	407
6"	150	444	150	499	164	511	164	524
12"	228	576	228	630	241	643	241	656
18"	303	708	303	762	317	775	317	788
24"	379	840	379	894	395	907	395	920
36"	532	1104	532	1158	545	1171	545	1184
48"	680	1363	680	1417	695	1430	695	1430

45° Offset Chart								
chimney length	125mm		150mm		175mm		200mm	
	Offset	Height	Offset	Height	Offset	Height	Offset	Height
none	120	304	120	305	140	356	140	384
6"	205	389	205	390	225	441	225	469
12"	313	497	313	498	333	549	333	577
18"	421	605	421	606	441	657	441	685
24"	529	713	529	713	548	765	548	793
36"	744	928	744	929	764	980	764	1008
48"	955	1144	955	1144	980	1196	980	1224

Insulated 15°, 30°, 45° and 90° Elbow

- The insulated elbow is used when offset is required.
- Locking Bands must be used on all elbows.
- A maximum of 6 feet is allowable between offsets.
- Elbow is fully insulated and can be used at the same 2" clearance chimney lengths.
- Elbow support must be used with all offset installations.
- Elbows do not have locking ridges and can be rotated to attain optimum positioning offset, and allow chimney to return to correct vertical alignment, prior to installing locking bands.

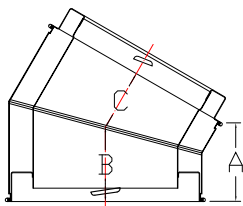
15 Degree Elbow



- 15° insulated elbows can be used for fixed offsets of 15° slope or in pairs for offsets adjustable from 0° to 30° slope.

Size	Dimensions			Item Number
	A	B	C	
125mm	84mm	61mm	48mm	DSB1505
150mm	84mm	63mm	50mm	DSB1506
175mm	84mm	64mm	52mm	DSB1507
200mm	84mm	66mm	53mm	DSB1508

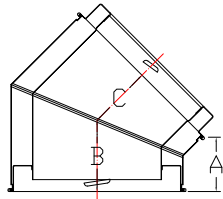
30 Degree Elbow



- 30° insulated elbows can be used for fixed offsets of 30° slope

Size	Dimensions			Item Number
	A	B	C	
125mm	69mm	64mm	64mm	DSB3005
150mm	81mm	77mm	64mm	DSB3006
175mm	94mm	86mm	73mm	DSB3007
200mm	106mm	97mm	84mm	DSB3008

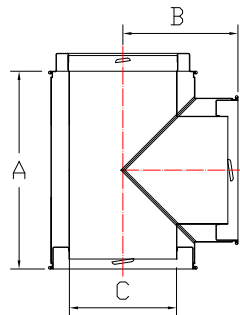
45 Degree Elbow



- 45° insulated elbows used to provide an offset or bend of 45 degrees off vertical

Size	Dimensions			Item Number
	A	B	C	
125mm	43mm	79mm	70mm	DSB4505
150mm	42mm	83mm	74mm	DSB4506
175mm	45mm	91mm	82mm	DSB4507
200mm	46mm	95mm	86mm	DSB4508

90 Degree Tee

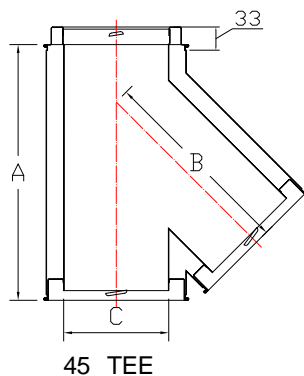


Size	Dimensions			Item Number
	A	B	C	
125mm	250mm	130mm	125mm	DST9005
150mm	275mm	160mm	150mm	DST9006
175mm	300mm	190mm	175mm	DST9007
200mm	320mm	210mm	200mm	DST9009

Insulated 90°, 135° Tee and Tee Plug

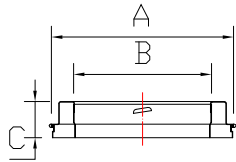
- Insulated tee is for through the wall installation using a wall support.
- It allows the horizontal connection of the chimney to the appliance and provides access for inspection and cleaning.
- Includes twist-lock Tee Plug

135 Degree Tee



Size	Dimensions			Item Number
	A	B	C	
125mm	330mm	260mm	125mm	DST4505
150mm	360mm	280mm	150mm	DST4506
175mm	400mm	320mm	175mm	DST4507
200mm	430mm	350mm	200mm	DST4508

Tee Plug

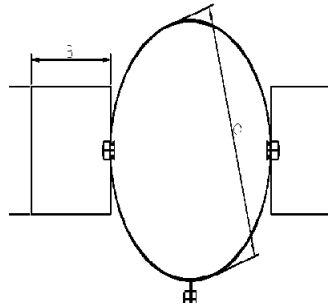


- Twist locks into bottom of Wall Support.
- Removable to provide easy access for chimney maintenance and inspection
- Insulated to help maintain flue gas temperature

Size	Dimensions			Item Number
	A	B	C	
125mm	175mm	125mm	40mm	DSE1905
150mm	200mm	150mm	40mm	DSE1906
175mm	225mm	175mm	40mm	DSE1907
200mm	250mm	200mm	40mm	DSE1908

Support

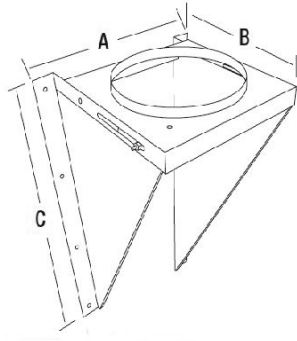
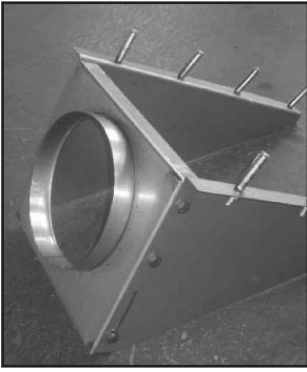
Wall Band



- The Lateral Support secures to the outside wall of the building to support the chimney when it extends vertically along the outside edge of the structure

Size	Dimensions			Item Number
	A	B	C	
125mm	100mm	100mm	175mm	DSW2805
150mm	100mm	100mm	200mm	DSW2806
175mm	100mm	100mm	225mm	DSW2807
200mm	100mm	100mm	250mm	DSW2808

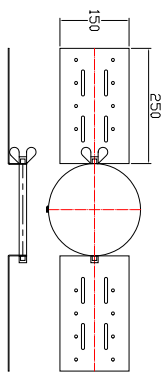
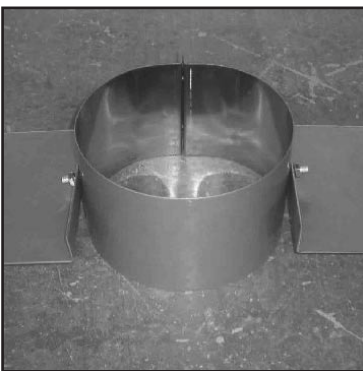
Wall Support



- Supports up to 38 feet of chimney. If chimney extends over 38 feet, adjustable intermediate wall support must be used.
- Includes wall support top plate with female coupler attached, male coupler, side brackets and hardware

Size	Dimensions			Item Number
	A	B	C	
125mm	270mm	305mm	460mm	DS-WS125
150mm	270mm	305mm	460mm	DS-WS150
175mm	300mm	325mm	460mm	DS-WS175
200mm	300mm	325mm	460mm	DS-WS200

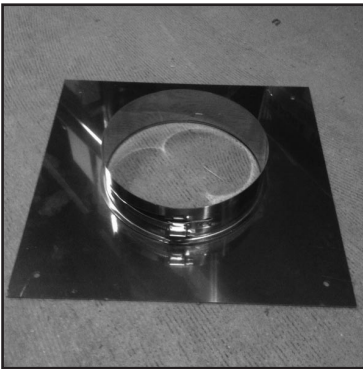
Roof Support



- The roof support secures to the roof joist level to secure the chimney from the roof top to the termination point.
- The roof support used above an offset to support the offset or as a supplementary support when the chimney height exceeds that of the primary support.

Size	Dimensions		Item Number
	A	B	
125mm	125mm	100mm	DS-RS125
150mm	150mm	100mm	DS-RS150
175mm	175mm	100mm	DS-RS175
200mm	200mm	100mm	DS-RS200

Ceiling Support



Size	Dimensions				Item Number
	A	B	C	D	
125mm	340mm	340mm	183mm	50mm	DSC6205
150mm	365mm	365mm	208mm	50mm	DSC6206
175mm	390mm	390mm	233mm	50mm	DSC6207
200mm	415mm	415mm	258mm	50mm	DSC6208

Shields

Firestop

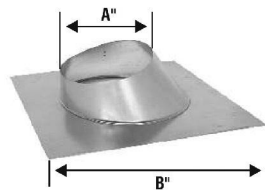
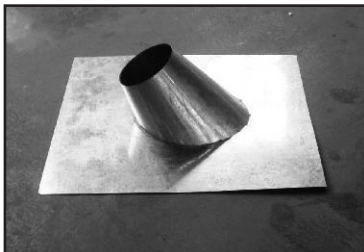
- Used where the chimney passes through a floor or ceiling of a building shall be provided with an assembly constructed to provide firestopping at the framed joist opening and to establish and maintain required minimum clearances between chimney sections and combustible construction in this area.
- A firestop provide complete firestopping when the assembly is installed in a framed joist opening that is 1/2 inch (13mm) greater on each side than the opening for which the assembly is intended.
- The inside diameter of the firestop opening shall not be more than 1/8 inch (3.2mm) greater than the outside diameter of the chimney pipe, including chimney joints and raised projections.
- Maintains the mandatory two inch clearance to combustibles



Size	Dimensions			Item Number
	A	B	C	
125mm	225mm	350mm	300mm	DSF3805
150mm	250mm	400mm	300mm	DSF3806
175mm	275mm	400mm	300mm	DSF3807
200mm	300mm	450mm	300mm	DSF3808

Other Accessories

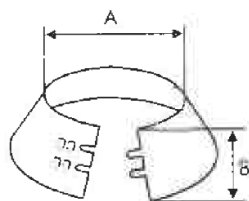
Flashing



- Used to water proof installations that penetrate the roof line.

Size	Dimensions		Item Number
	A	B	
125mm	185mm	800mm	DSF3005
150mm	210mm	800mm	DSF3006
175mm	235mm	800mm	DSF3007
200mm	260mm	800mm	DSF3008

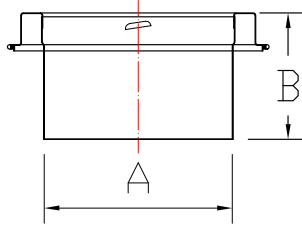
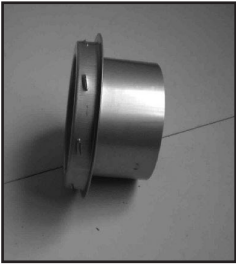
Storm Collar



- Used to fit on the chimney just above the roof flashing.
- Storm collar is tightened with screws for proper fit.

Size	Dimensions		Item Number
	A	B	
125mm	178mm	100mm	DSS5205
150mm	203mm	100mm	DSS5206
175mm	228mm	100mm	DSS5207
200mm	253mm	100mm	DSS5208

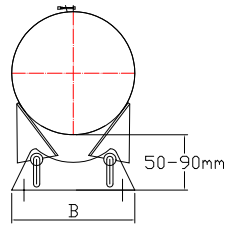
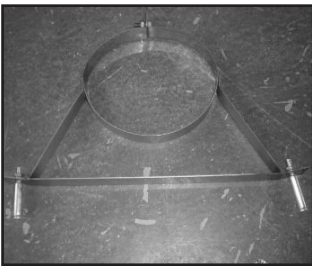
Adapter



- Used as a vertical or horizontal connection between single wall pipe/twin wall pipe and fireplace/stove.
- Twist-lock easy connection to the chimney.

Size	Dimensions		Item Number
	A	B	
125mm	125mm	100mm	DSA1205
150mm	150mm	100mm	DSA1206
175mm	175mm	100mm	DSA1207
200mm	200mm	100mm	DSA1208

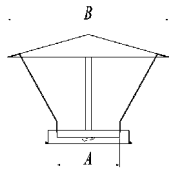
Wall Band



- Used to stabilize the chimney against an outside wall.

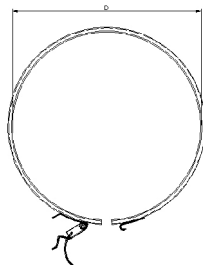
Size	Dimensions		Item Number
	A	B	
125mm	175mm	405mm	DSW2805
150mm	200mm	430mm	DSW2806
175mm	225mm	455mm	DSW2807
200mm	250mm	480mm	DSW2808

Cone Rain Cap



Size	Dimensions		Item Number
	A	B	
125mm	125mm	350mm	DSR2205
150mm	150mm	380mm	DSR2206
175mm	175mm	410mm	DSR2207
200mm	200mm	440mm	DSR2208

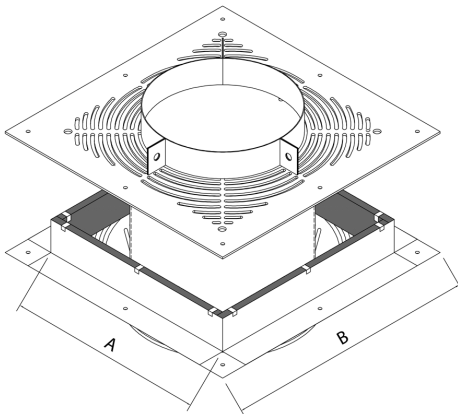
Locking Band



- On all sections that make up an offset
- On tee branch to attach a chimney pipe
- On any pipe suspended below the cathedral or roof support
- While locking bands are not required on other chimney pipe, their use is recommended for added safety and stability. It also provides a more attractive appearance.

Size	Dimensions	Item Number
	D	
125mm	175mm	DSL3305
150mm	200mm	DSL3306
175mm	225mm	DSL3307
200mm	250mm	DSL3308

Ventilated Fire Stop



Size	Dimensions		Item Number
	A	B	
125mm	300mm	380mm	DSV6205
150mm	300mm	380mm	DSV6206
175mm	350mm	430mm	DSV6207
200mm	350mm	430mm	DSV6208



Your Local Distributor



give us a call on

0845 603 1715

Branches at Nottingham / Leeds / Newbury / London